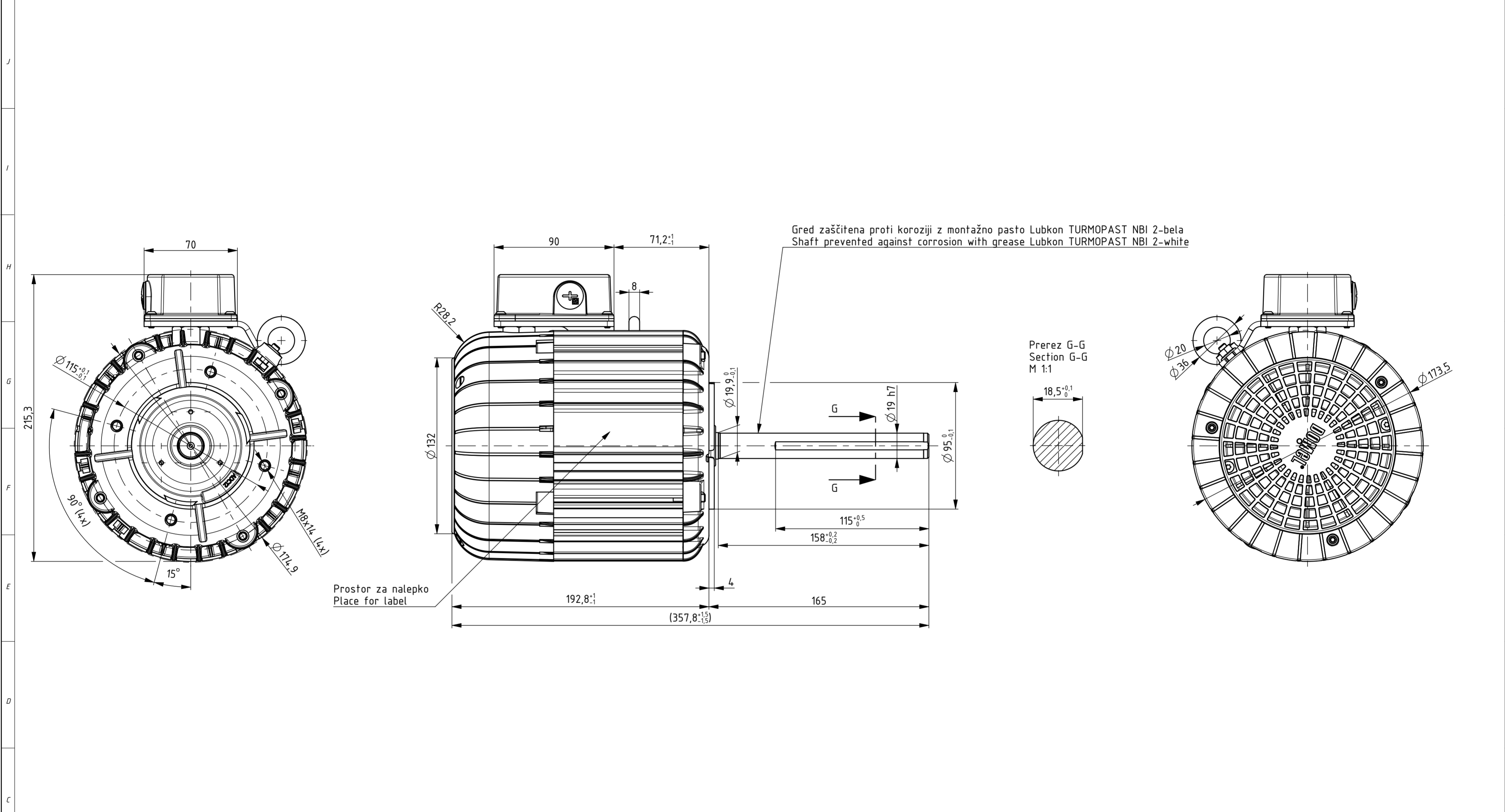


Izdelano s CAD/ProEngineer - ročno spreminjanje ni dovoljeno! Vsak prenos tretjim osebam ali uporaba v nedogovorjene namene ni dovoljena po zakonu o avtorskih pravicah. Made with CAD/ProEngineer - changing is not allowed! Any unauthorized copying of the information contained herein is prohibited.

1 2 3 4 5 6 7 8 9 10 11 12 13



Podatki na etiketi:
Data on label:

LEŽAJI BEARINGS	DE: 6204 ZZ C3 NDE: 6203 ZZ C3
NAZIVNA MOČ NOMINAL POWER	1.5 kW
NAZIVNA HITROST NOMINAL SPEED	2360 /min
NAZIVNI NAVOR NOMINAL TORQUE	6.0 Nm
NAZIVNI TOK NOMINAL CURRENT	5.9 A (Δ / 208-240V) 3.4 A (Y / 400-480V)
IP RAZRED IP CLASSIFICATION	IP55
MASA MASS	8.7 kg
TIP ELEKTRONIKE EC CONTROLLER TYPE	

DOMEL www.domel.com Made in Slovenia (EU) 3- PM Motor 10p S1 IP55 IE5 Type: AZ 108-55-X090B-ATVG Code: 747.3.368-3 S/N: XXXXX Date: DWWYY 8.7 kg 1.5 kW 2360 rpm (2830 rpm max., 236 Hz) 6.0 Nm 3500 Class 180 (H) D-180-1 Tamb = 40 °C	
Delta connection 208-240 V 5.9 A	Star connection 400-480 V 3.4 A

Opomba / Remark:
1. Moment pritvija vijakov M8 pri montaži motorja je max. 10 Nm.
Max. torque for bolts M8 fastening at motor assembling is 10 Nm.
2. Material gredi 1.4404 ali 1.4301. / Shaft material 1.4404 or 1.4301.

Tolerance odprtih mer Tolerances without individual indications ISO 8015 ISO 2768 - mK	Površinska hrapavost Surface finishing	Merilo Scale 1:2		Original format ISO 5457 - A2
Datum/Date 27.03.25	Ime/Name J. Luznar	Naziv Title MOTOR AZ 108-55-X090B-ATVG		
Pregl. Verified 31.03.25	B.Rihtaršič	Koda Code 747.3.368-3		
DOMEL® Otoki 21, 4228 Železniki, Slovenija		List Sheet 3+		
		Stran Page 1		
		74.73368003_MOTOR_AZ_55		

$\phi 19\ h7$	0				
mera	-0,021	A0	17591	31.03.25	J. Luznar
odstopek		Ozn. Mark	Sf. obvestila Nr. of notice	Datum Date	Ime Name