

Author: G. REZOHIER Date of the revision 2023-05-10: Documentary Update (UKCA Marking)

**RANGE: Single inlet centrifugal fans with single phase asynchronous motor**

OEP	ND	Test	LF26Mb	Customer
		Winding	G77	Reference
Drawing of the product	BIS_T03-33 p_l=e.pdf		Designation	<b>2TRE15 140x42R</b>



**ELECTRICAL DATA**

Speed	-
Tension (V)	230
Frequency (Hz)	50
Current (A)	0.18
Maximum current (A)	0.26
Power (W)	40
Maximum power (W)	54
Rotation (RPM)	2445
Cos Φ	0.966
Temperature min/max (°C)	-20/+70
Capacitor (µF)	1.00
U_condo (V)	400
Comments	Point de fonctionnement

**Winding temperature cold** (Temperature at 20°C, tolerances 7%)

PP	PA
193.0 Ohm	490.0 Ohm

**Temperature variation** (110% of the voltage)

F (Hz)	Average elevation (°K)	Speed
50 Hz	34 °K	-

**Dielectric strength** 1500 VAC 60 seconds

**Direction of rotation** CCW

**MARKING & STANDARDS**

Conformity

- CE
- UKCA



The product is manufactured in accordance with EN 60335-1, and RoHS directive 2015/863/CE  
 IP class according to EN 60034-5 to be checked with operation and installation

Réf. EV EC 025 - Revision c  
 Old DT EN - Page 1 / 4

Issued: 2023-05-10 at 16:42

Author: G. REZOHIER

Date of the revision 2023-05-10: Documentary Update (UKCA Marking)

## TECHNICAL DATA

### Description

- Weight: 1.20 kg
- With Condensat Drain Holes
- Class F
- Protection level: 44 | Protection against ingress of solid with diameter  $\geq 1$  mm / Protection against ingress of water : splashing
- Motor's protection T130° C Automatic reset
- Bearing type: 2 ball bearings 608ZZ
- Balance level: G2.5

### Special features

- any

### Limiting conditions of operation

- any

## ADDITIONAL DATA

### Documentations

- Operating and recycling manual  
<http://www.ecofit.com/anglais/normes>

### Measurement setup

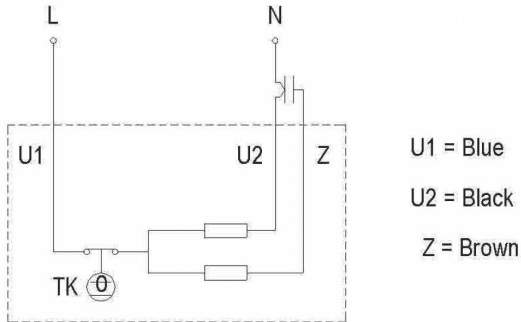
- Scroll 15186-0 VOLUTE VH98 4F/126 GALVA

Author: G. REZOHIER

Date of the revision 2023-05-10: Documentary Update (UKCA Marking)

## CONNECTORS

### Wiring diagram



## ERP DATA

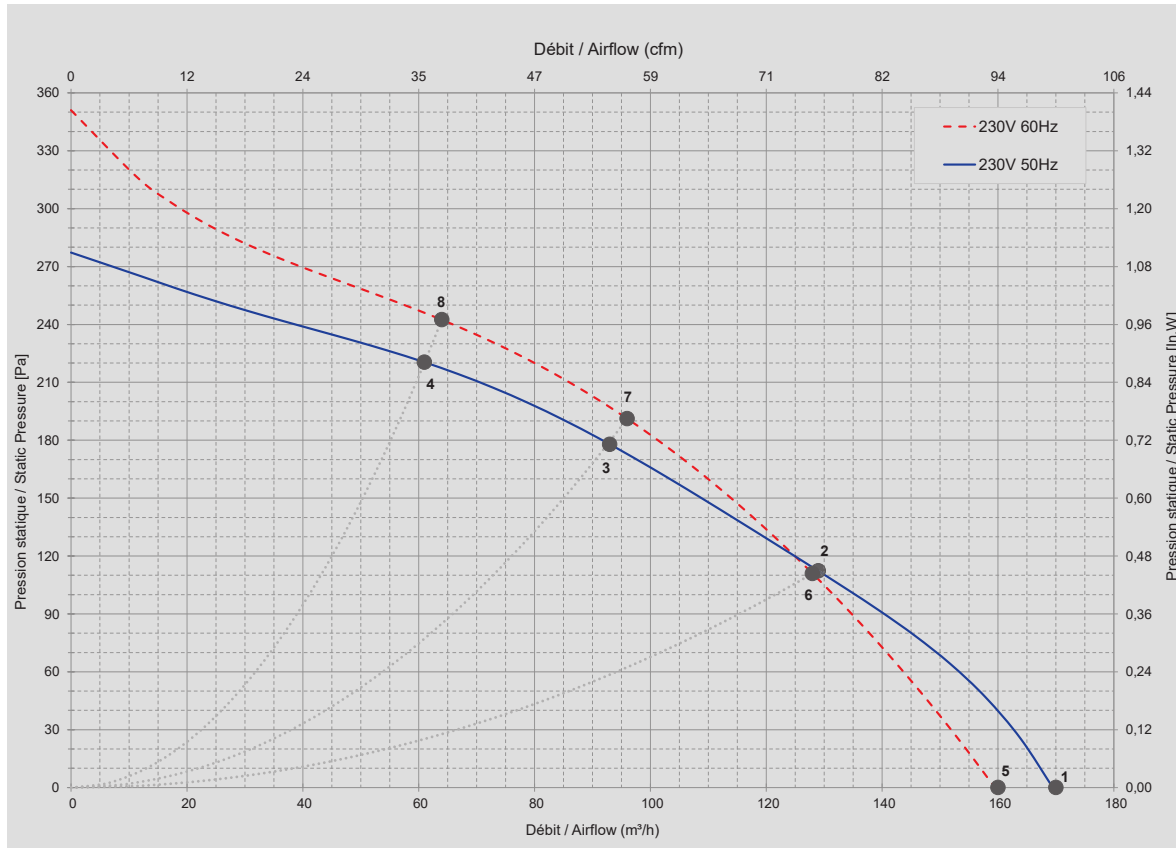
ErP Directive ErP (EU 2009/125/EC) not applicable:

- Power at optimum energy efficiency point <125W

Author: G. REZOHIER

Date of the revision 2023-05-10: Documentary Update (UKCA Marking)

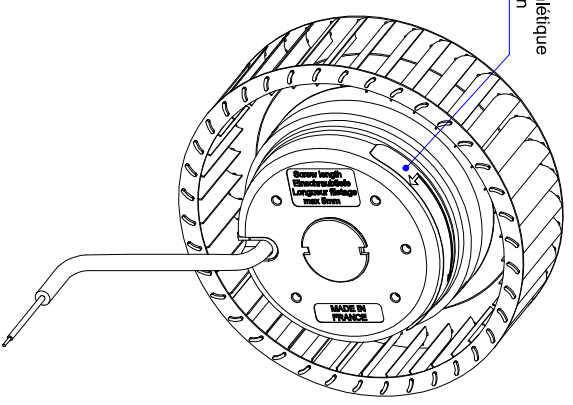
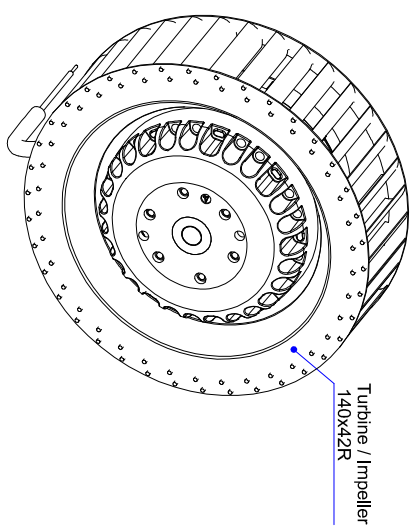
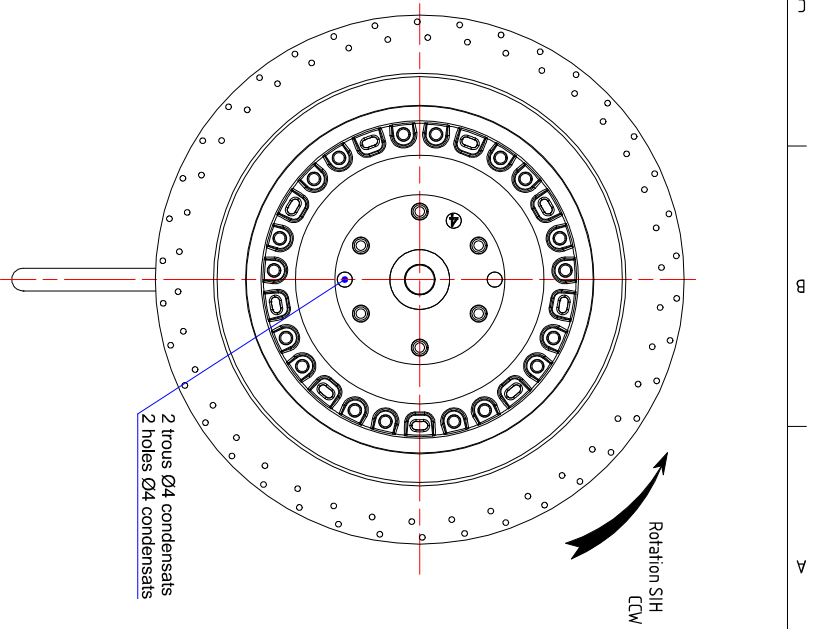
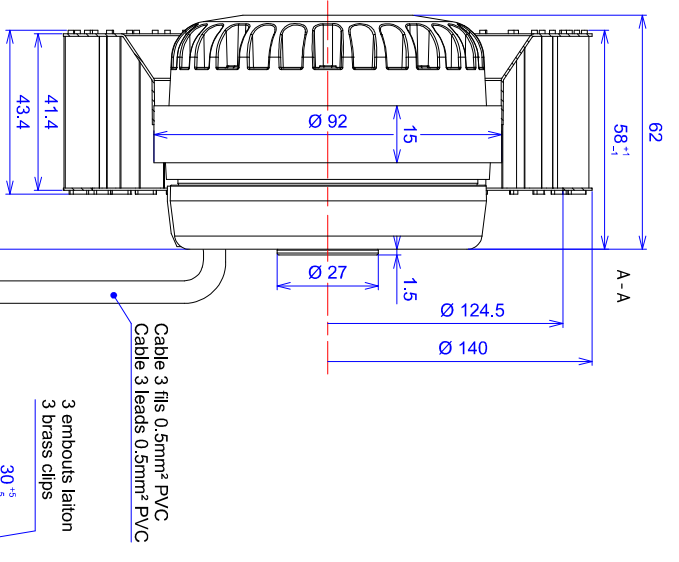
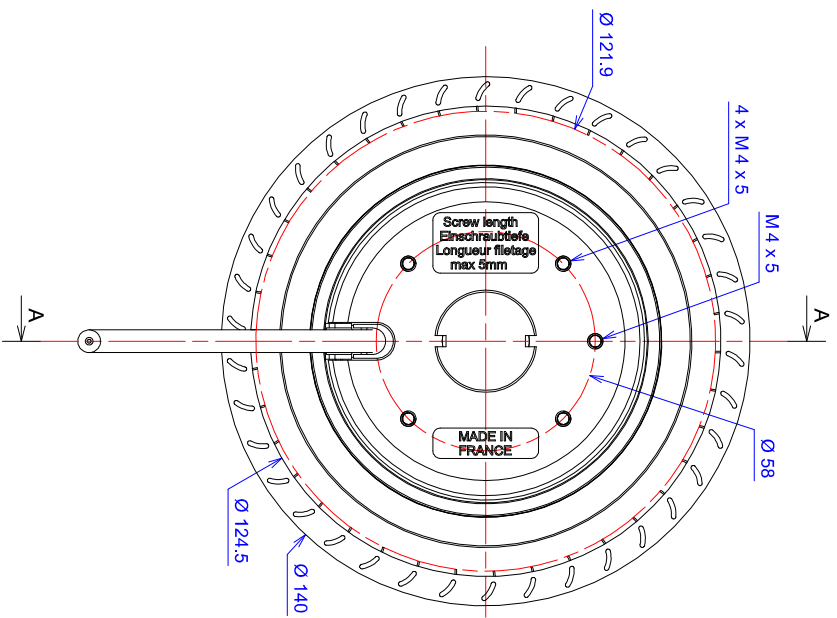
TECHNICAL DATA



Mesures / Measured Values \*

	Un (V)	F (Hz)	C (µF)	P (W)	n (RPM)	Q (m³/h)	P (Pa)	Q (cfm)	P (In.W)	Lp <sub>m</sub> (dBA)
1	230	50	1	55	1975	170	0	100	0,000	
2	230	50	1	45	2297	129	112	76	0,450	
3	230	50	1	40	2469	93	178	55	0,713	
4	230	50	1	35	2584	61	220	36	0,883	
5	230	60	1	65	1900	160	0	94	0,000	
6	230	60	1	60	2344	128	111	75	0,444	
7	230	60	1	55	2655	96	191	57	0,766	
8	230	60	1	50	2860	64	242	38	0,971	

\* Air performance measured according to: ISO 5801, installation category C.  
 Intake-side sound level: according to ISO 3744, LpA measured at 1 m distance from fan axis. The values given are only applicable under the specified measuring conditions and may differ depending on the installation conditions. In the event of deviation



U1 = Bleu Blue  
 U2 = Noir Black  
 Z = Brun Brown

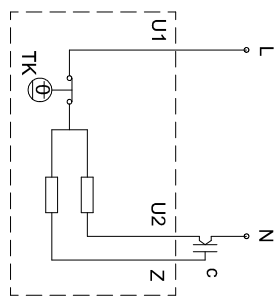


Schéma de branchement  
 Wiring diagram

e	12/06/2017	Changement moule rotor	nd
d	16/05/2013	Fiche technique conforme à la directive ErP	sw
INDEXE	DATE	LIBELLÉ	AUTEUR
	Dessiné par : TP	17/10/1989	
Ech.	1:1	Vérifié par :	Etat de surface : EY.EC.025
Forma :	Folio :	Protection :	Tolérances générales : ±1mm
A2	1/1	Traitement : -	

**SINGLE INLET CENTRIFUGAL FAN**  
**MOTO VENTILATEUR**  
**2TR15-140x42R**

ECOFRIT & ETRIT PRODUCTS  
 N° T03-33 p  
 Indice : c