

VIBRATOR TECHNICAL DATA SHEET

MODEL: CDX 15/2410-G/D 230/460V 60Hz 3PH

SERIE: AF FRAME SIZE: 60 P/N: 601329C

IP66

RPM 1800

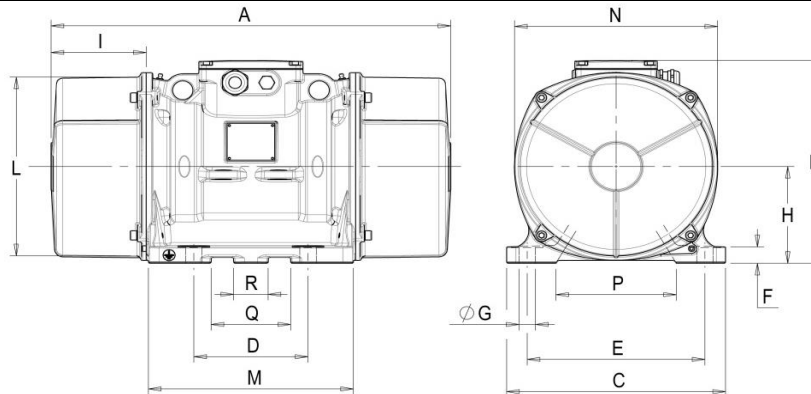
MECHANICAL CHARACTERISTICS

Weights Position	Static moment		Centrifugal Force			Bearing Life w/1.3 Load Factor	Bearing Life w/1.0 Load Factor
	%	kgmm	in.-lb	kg	lb		
100	674	58,6	2444	5377	24,0	36050	86440
90	607	52,7	2200	4839	21,6	51188	>100000
80	539	46,9	1955	4301	19,2	75873	>100000
70	472	41,0	1711	3764	16,8	>100000	>100000
60	404	35,2	1466	3226	14,4	>100000	>100000
50	337	29,3	1222	2688	11,98	>100000	>100000
40	270	23,4	978	2151	9,59	>100000	>100000
30	202	17,6	733	1613	7,19	>100000	>100000
20	135	11,7	489	1075	4,79	>100000	>100000
10	67	5,9	244	538	2,40	>100000	>100000

Weight:	92 kg (202 lb)	Bearing:	NJ 2310 E C4
Working Moment:	135 kgcm (117 in-lb)	Dynamic load:	41725 lb (18966kg)
Max Static Moment:	674 kgmm (58,6 in-lb)	Lube schedule:	5000 hours

ELECTRICAL CHARACTERISTICS

		in-lb	Nm
Nominal input voltage:	230	460	
Nominal current (amps):	5,8	2,9	
Start current (amps):	45,0	22,5	
Start/Nom. current ratio:		7,76	
Input power (watts):		1650	
Output power (hp):		2,0	
Service Factor:		1,0	
Efficiency:		90%	
Slip:		2%	
Power factor:		0,71	
Coil resist (Ω @ 20°C):		3,41	
Insulation class:		F	
Locked Rotor Code:		K	
Nominal torque:		64,2	7,20
Start torque:		335	37,5
Maximum torque:		306	34,3
Start/nom. torque ratio:			5,21
Max/nom. torque ratio:			4,76
Starting time (sec):			0,72
Duty cycle:			continuous
Max. Ambient Temp.:			40°C (104F)
Inertia kgm ² (lb-ft ²):		0,3775	10,469
Inverter Duty:			20Hz to 60Hz
Operating Temp. Code:			See below
Capacitance (μF):			N/A



	in.	mm
A:	22,52	572
B:	12,28	312
C:	10,83	275
D:	6,10	155
E:	8,86	225
ØG:	0,87	22
F:	0,87	22
H:	5,31	135
I:	5,75	146
L:	9,39	239
M:	10,79	274
N:	9,96	253
P:	6,65	169
Q:	4,13	105
R:	1,97	50

Cable entry thread:	3/4" NPT
Serv. length req.per side(in):	146mm (5,75 inch.)
Mounting bolts:	3/4" - (M20)
Mounting bolt torque:	275 ft-lb (38 kgm)

Approvals and certifications	
UL LISTED	Class I, gr.C,D. Class II, gr.E,F,G. Class III. Temp.Class T4 (135°C)
Ex	ATEX 2014/34/UE II2GD Ex d IIB 120°C Gb Ex tb IIIC T120°C Db
IECEx	IECEx std. IEC 60079-0, 60079-1, 60079-31 cert. n° IECEx UL 09.0034X
EAC	Compliance with TR CU 012/2011 Cert. N° RU C-TF5085.00768
UK CA	UK SI 2016 No.1107 / UK SI 2019 No.696 Ex tb IIIC T120°C Db Ex db IIB 120°C Gb cert. n° UK21UKEX2013X
CCC	Ex d IIB 120°C Gb Ex tD A21 IP66 T120°C Cert. N. 2021322301003124